

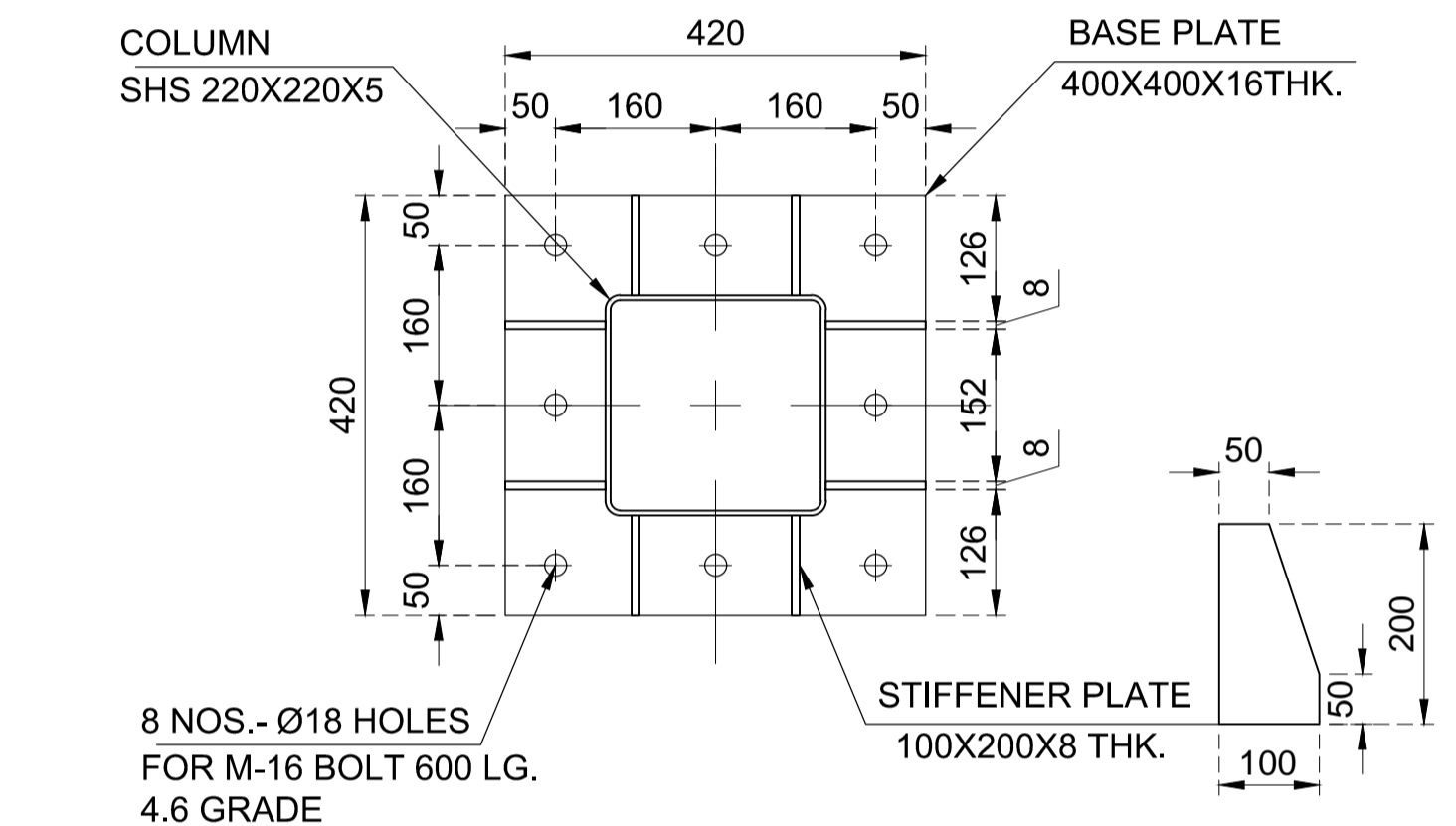
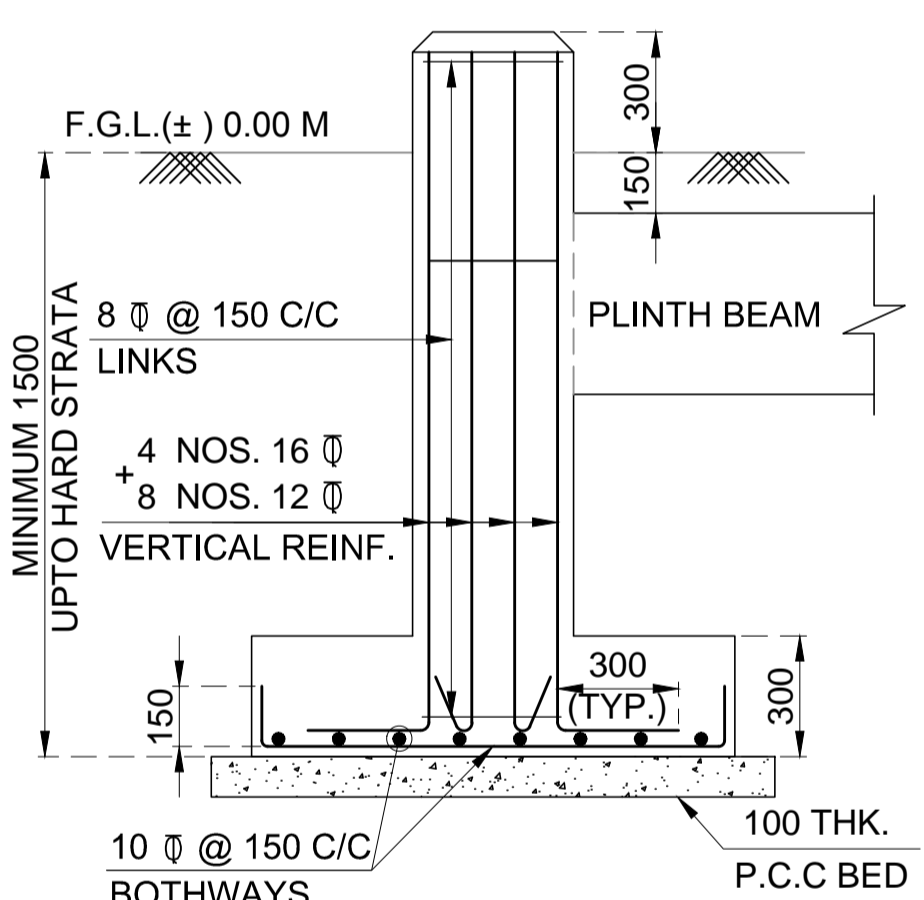
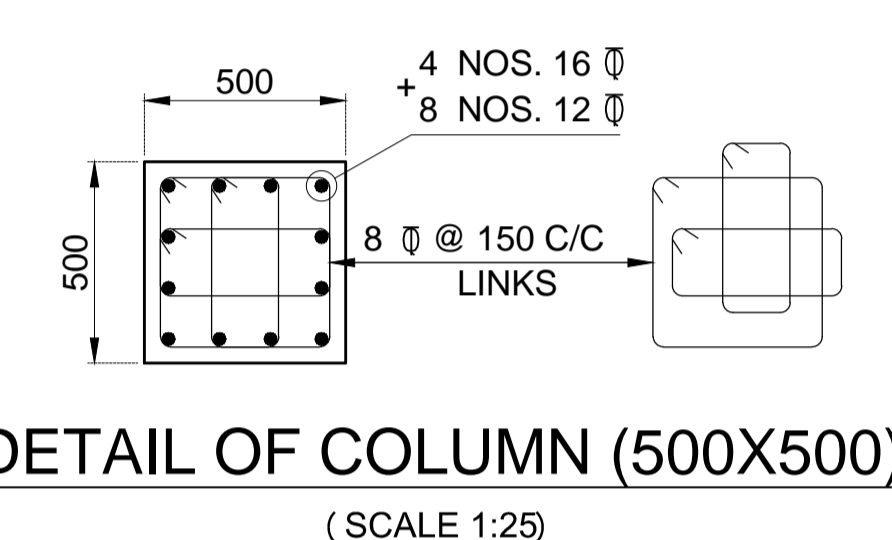
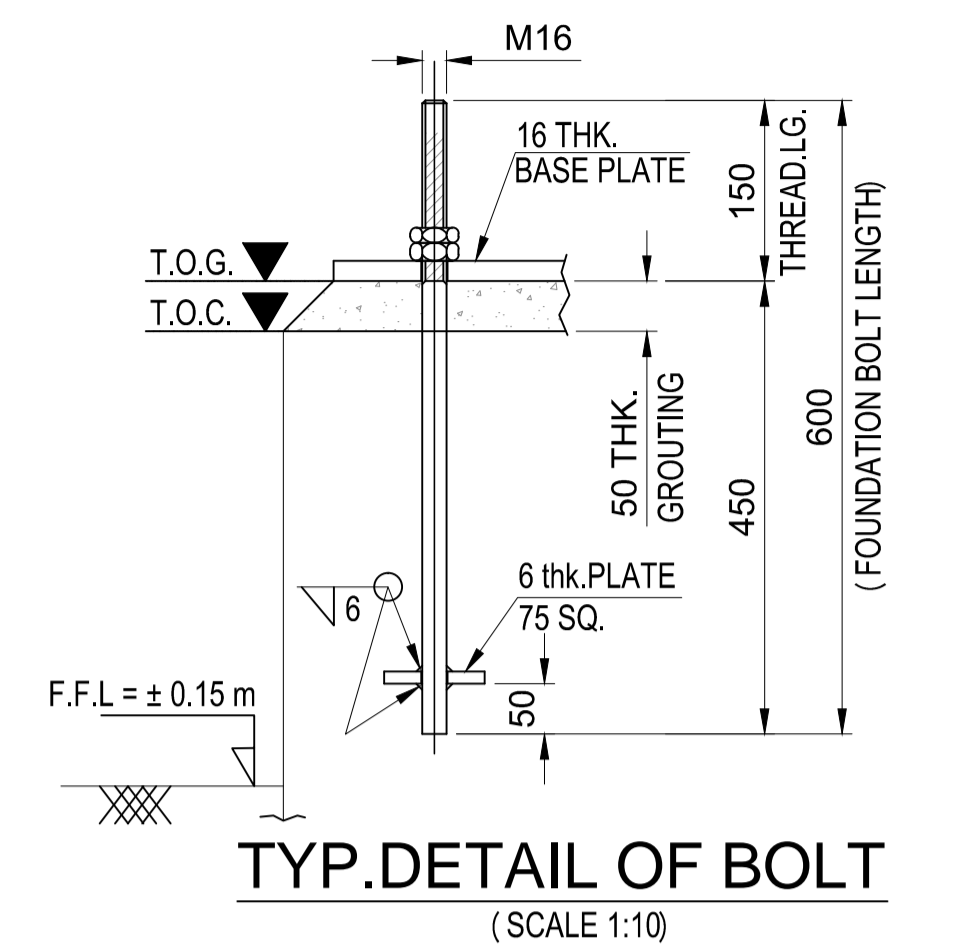
SCHEDULE OF FOOTINGS AND COLUMNS

FOOTING NOS.	COLUMN	NUMBER OF COLUMNS	DETAILS OF FOOTINGS				FOOTING REINFORCEMENT		COLUMN		REMARK
			L	B	D	h			SIZE	VERT. STEEL	
F1	C1 TO C14	14 Nos.	1800	1800	300	150	10 \varnothing @ 150 C/C (BOT)	10 \varnothing @ 150 C/C (BOT)	500 X 500	+ 4 NOS. 16 \varnothing + 8 NOS. 12 \varnothing	--

SCHEDULE OF PLINTH BEAM

BEAM NOS.	SIZE	BOTTOM BARS		TOP BARS		STIRRUPS C/C		REMARKS
		STRAIGHT	STRAIGHT	EXTRA REINF. AT SUPPORT	UP TO L/4	SPAN		
PB1	230 X 450	3 NOS. 12 \varnothing	2 NOS 12 \varnothing	2 NOS 16 \varnothing	8 \varnothing @ 100 C/C	8 \varnothing @ 150 C/C	--	

CONCRETE GRADE - M 20



DETAILS OF BASE PLATE FOR COLUMN

- LEGEND:-
T.O.C. - TOP OF CONCRETE.
T.O.G. - TOP OF GROUT. (BOTTOM OF BASE PLATE)
F.G.L. - FINISHED GROUND LEVEL.
F.F.L. - FINISHED FLOOR LEVEL.

GENERAL NOTES:

- THIS DRAWING SHALL BE READ IN CONJUNCTION WITH ALL OTHER RELEVANT DRAWINGS AND WITH THE SPECIFICATIONS.
- ALL BUILDING MATERIALS BEING USED FOR R.C.C. WORKS SHALL CONFIRM TO SPECIFICATIONS AND TESTS MENTIONED IN I.S.456-2000.
- SETTING OUT: FOR MAIN SETTING OUT LINES AND LEVELS, REFER TO ARCHITECTURAL DRAWINGS. UNLESS OTHERWISE SPECIFIED ALL DIMENSIONS ARE IN MILLIMETERS AND LEVELS IN METRES. ALL DIMENSIONS AND CONDITIONS MUST BE VERIFIED ON SITE AND ANY DISCREPANCIES SHALL BE BROUGHT TO THE ATTENTION OF THE ENGINEER BEFORE PROCEEDING WITH THE PORTION OF WORK INVOLVED.
- WHEN EXCAVATING FOR FOUNDATIONS, CARE SHALL BE TAKEN NOT TO DISTURB THE STRATA UNDERLYING FORMATION LEVEL. IF ANY DISTURBANCE DOES OCCUR, OR IF SOFT SPOTS ARE ENCOUNTERED, THE MATERIAL SHALL BE REMOVED & REPLACED BY SELECTED GRANULAR FILL. THE SOIL AT THE BASE OF EACH FOUNDATION SHALL BE COMPACTED TO ENSURE THAT ITS DRY DENSITY IS AT LEAST 95% OF THE PROCTOR MAX. DRY DENSITY.
- SHORING AND STRUTTING OF ADJACENT BUILDING DURING EXCAVATION IS CLIENT'S RESPONSIBILITY.
- UNLESS OTHERWISE SPECIFIED CONCRETE MIX SHALL BE M-20, DESIGN MIX AS PER IS:456-2000
- UNLESS OTHERWISE SPECIFIED P.C.C. SHALL BE NOMINAL 1:3:6
- ALL REINFORCEMENT SHALL BE HIGH YIELD STRENGTH DEFORMED BARS CONFORMING TO IS:1786. REINF. SHALL BE OF GRADE Fe-500 ONLY.
- DEVELOPMENT LENGTH (L_d) OF BARS SHALL BE

GRADE OF CONCRETE	M20	M25	M30	M35
Fe-500	47 ϕ	41 ϕ	38 ϕ	34 ϕ

 WHERE ϕ IS THE DIAMETER OF THE BAR.
- MORE THAN 50% OF THE REINFORCEMENT BARS SHALL NOT BE SPLICED AT ANY SECTION.
- BAR BENDING AND SPECIAL CONTAINING REINFORCEMENT SHOULD BE AS PER IS:13920
- LAP LENGTH SHALL BE AS BELOW:
 - i) IN FLEXURAL TENSION - L_d OR 30 ϕ WHICHEVER IS GREATER WHERE L_d IS DEVELOPMENT LENGTH OF BAR.
 - ii) FOR DIRECT TENSION - 2L_d OR 30 ϕ WHICHEVER IS GREATER
 - iii) FOR COMPRESSION - L_d OR 24 ϕ WHICHEVER IS GREATER
- FOR COLUMNS LAP SPLICES SHALL BE PROVIDED WITHIN THE MIDDLE HALF OF THE COLUMN ONLY.
- COVER TO REINFORCEMENT: COVER TO ALL REINFORCEMENTS INCLUDING LINKS SHALL BE AS FOLLOWS UNLESS SHOWN OTHERWISE:-
 - A) FOUNDATIONS = 50mm
 - B) PEDESTALS = 50mm
 - C) COLUMNS = 50mm
 - D) WALLS = 30mm
 - E) BEAMS = 25mm
 - F) SLABS = 20mm
- MINIMUM DESHUTTERING PERIOD:
 - a. VERTICAL FORMWORK TO COLUMNS, WALLS, BEAMS - 24 HOURS
 - b. SOFFIT FORMWORK TO SLABS - 3 DAYS
 - c. SOFFIT FORMWORK TO BEAMS - 7 DAYS
 - d. PROPS TO SLABS:
 - 1. SPANNING UP TO 6m - 7 DAYS
 - 2. SPANNING OVER 6m - 14 DAYS
 - e. PROPS TO BEAMS:
 - 1. SPANNING UP TO 6m - 14 DAYS
 - 2. SPANNING OVER 6m - 21 DAYS
- DESIGN OF FORMWORK, CENTERING & SHUTTERING, SHALL BE CONTRACTORS RESPONSIBILITY.
- SAFE BEARING CAPACITY ASSUMED 20.0 T AT 1.50 M DEPTH.
- PROVIDE 230MM SOLING BELOW PCC WHEREVER REQUIRED
- MINIMUM DEPTH OF FOUNDATION 1.50 M FROM GROUND LEVEL.
- \varnothing INDICATES - Fe 500.

REV.	DATE	DESCRIPTION	DRAWN	CHECKED	APPROVED
--	--	--	--	--	--

REVISION

ARCHITECT:- NARENDRA SARDESHPANDE
CLIENT:- M/S BANK OF MAHARASHTRA, PUNE

STRUCTURAL CONSULTANT:
NBC - CIVIL & STRUCTURAL ENGINEER.
Er. NIRANJAN B. CHOUGULE. TEL:-09273355978, 8999661626
E-mail: nbc.structuralconsultant@gmail.com Web:-www.nbcstructuralengg.in
OFFICE-A2-305, Parkview Soc., DSK Vishwa rd. Dhayari, Pune

PROJECT:- PROPOSED PARKING SHED FOR BANK OF MAHARASHTRA AT PUNE.

TITLE:- LAYOUT AND DETAILS OF FOUNDATION

SCALE: AS SHOWN	DESIGN: CHECK:	MADE: SAHIL	DATE: 06.06.2023	DWG.No: 2324-07-PS-C-02	REV: R0
-----------------	----------------	-------------	------------------	-------------------------	---------

