

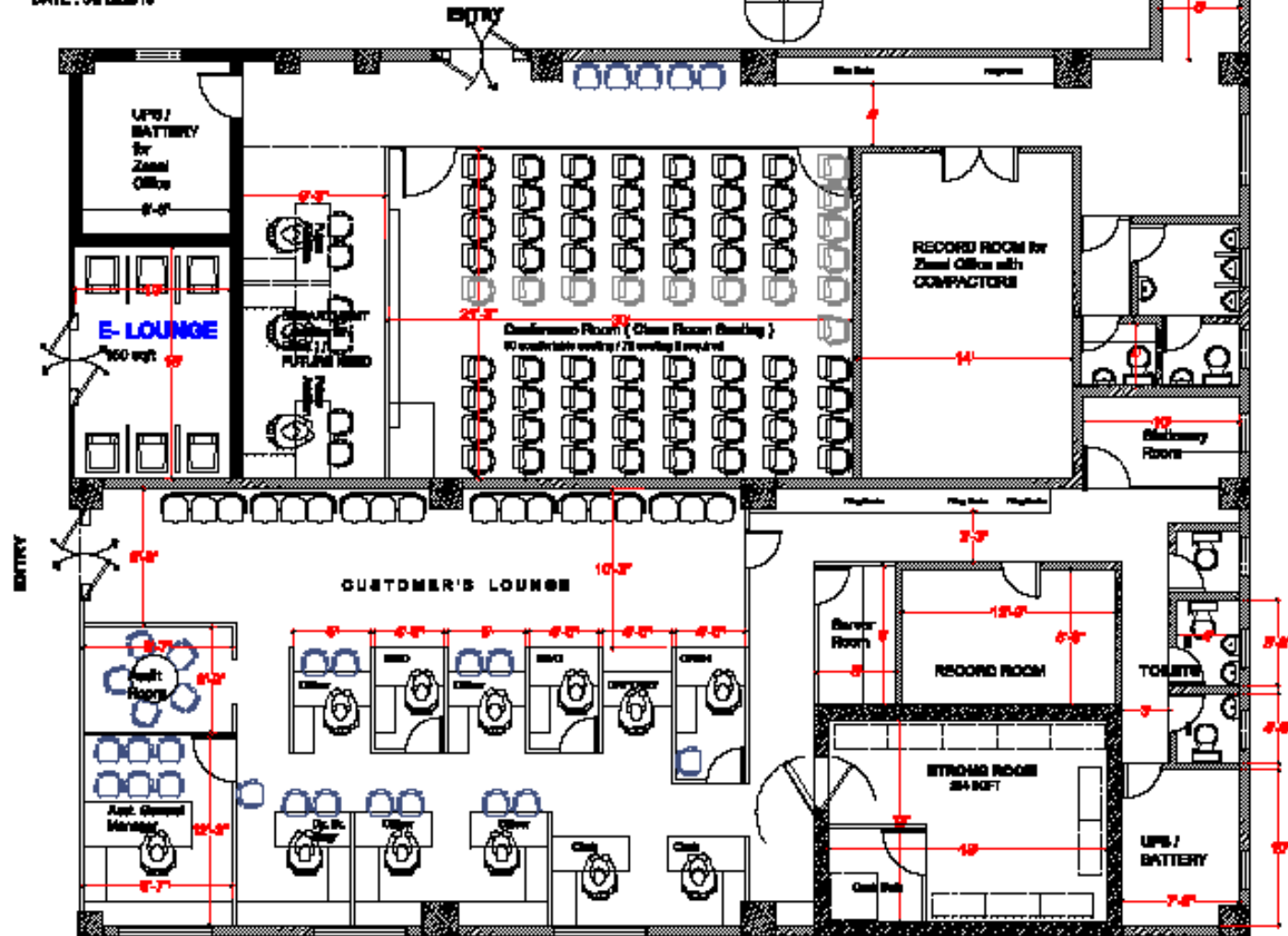
**PROPOSED INTERIOR LAYOUT OF SULTAN BAZAR BRANCH  
AND PART OF ZONAL OFFICE for BANK OF MAHARASHTRA,  
HYDERABAD ZONE @ KOTI, HYDERABAD**

ARCHITECTURE INTERIOR DESIGNERS  
**ANCHURI DESIGN WORLD**  
BEGUMPET, HYDERABAD-500016  
9248647272 / 9866387272  
ananchurid@ yahoo.co.in

DLT. BY : RAM ANCHURI  
DRG NO. ADNS04M/04/Pr/2017YD-496  
DATE : 04/12/2018

NORTH

GROUND FLOOR



BRANCH (including Strong Room): 2200 SQFT / E-LOUNGE 160 SQFT / ZONAL OFFICE 1600 SQFT

**OPTION FINAL**  
GROUND FLOOR

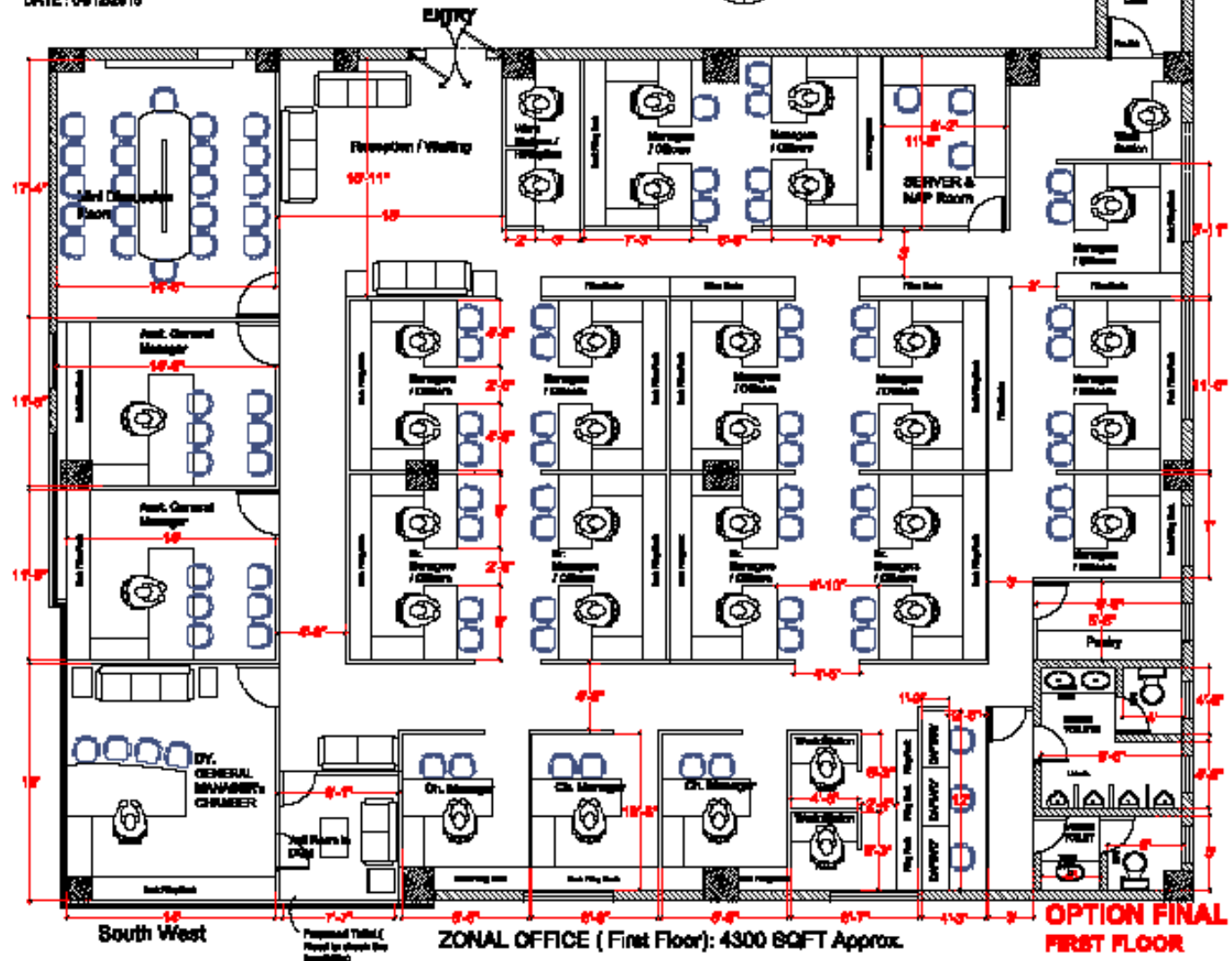
**PROPOSED INTERIOR LAYOUT OF ZONAL OFFICE for  
BANK OF MAHARASHTRA, HYDERABAD ZONE  
@ KOTI, HYDERABAD**

DLT. BY : RAM ANCHURI  
DESIGN NO. ADM/BO/MS/2014/HYD-012  
DATE : 04/12/2015

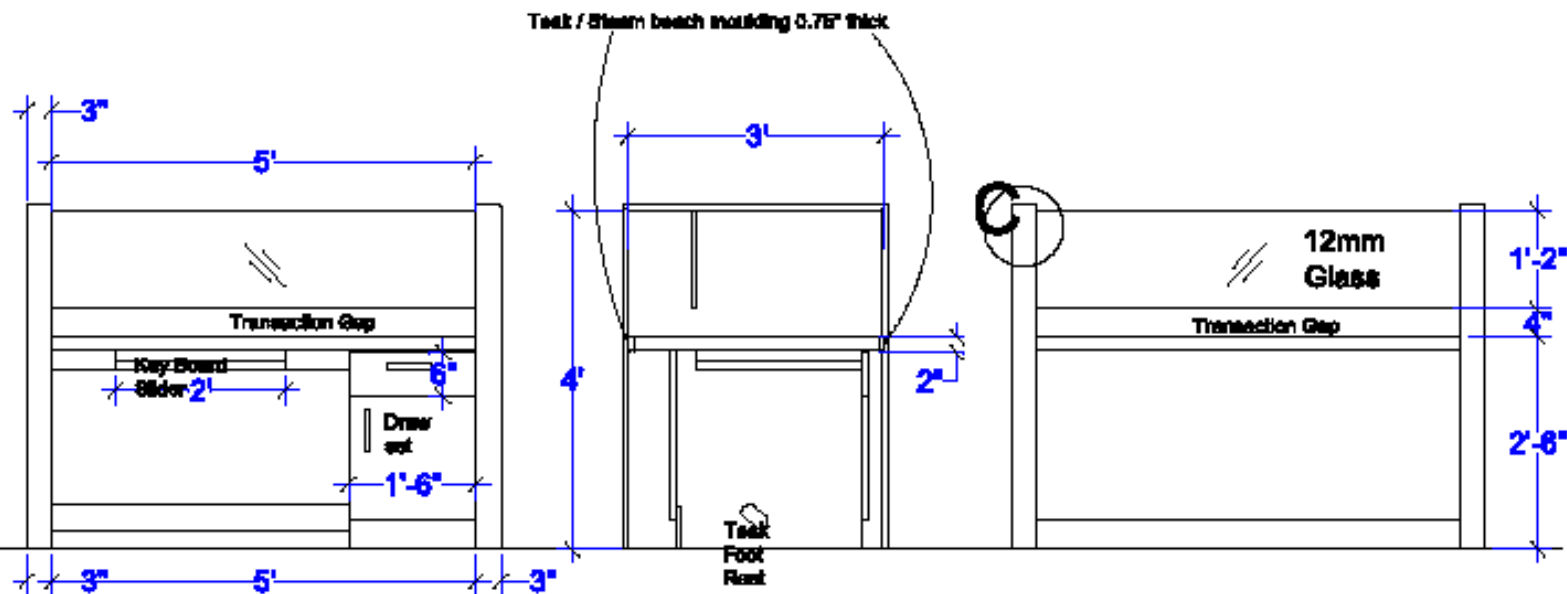


ARCHITECTURE INTERIOR DESIGNERS  
**ANCHURI DESIGN WORLD**  
BEGUMPET, HYDERABAD-500016  
0248647272, 0866867272  
ramanchuri@yahoo.co.in

**FIRST FLOOR**



**OPTION FINAL  
FIRST FLOOR**

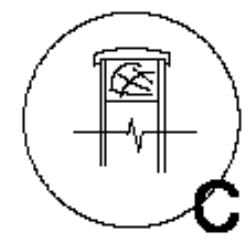
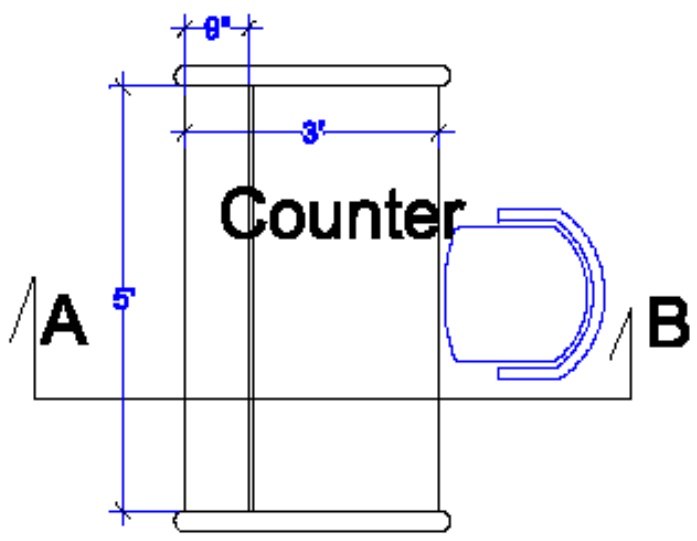


**'B' side elevation**

**Section at AB**

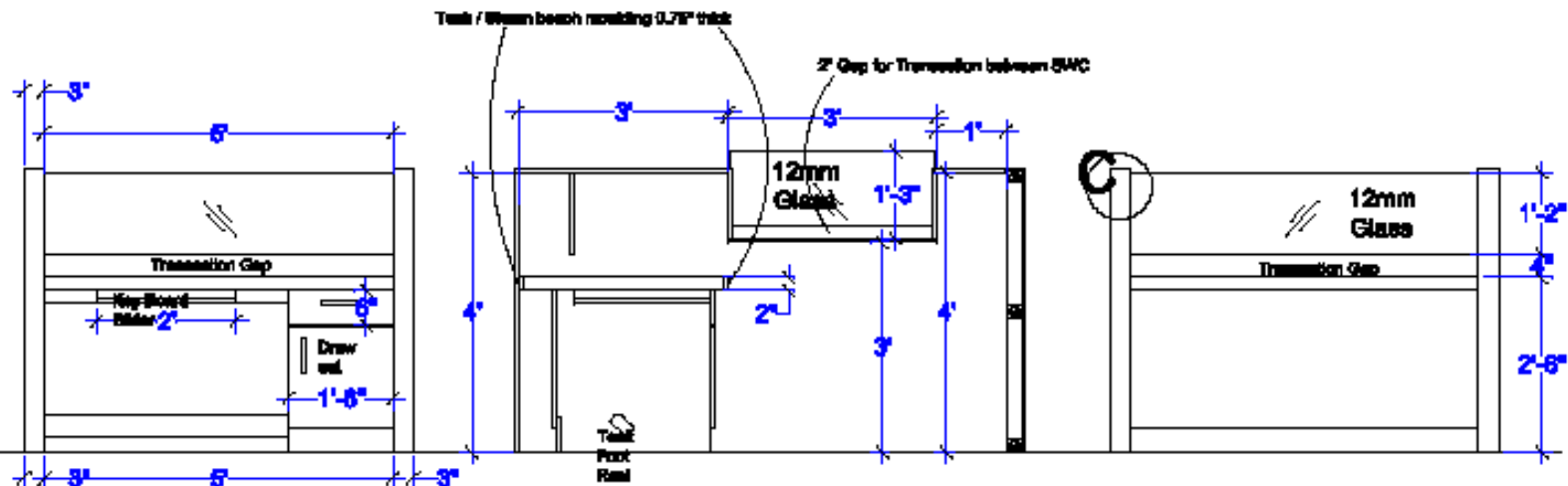
**'A' side elevation**

**1**



**BANK OF MAHARASHTRA,  
ZO & SULTAN BAZAR BRANCH**

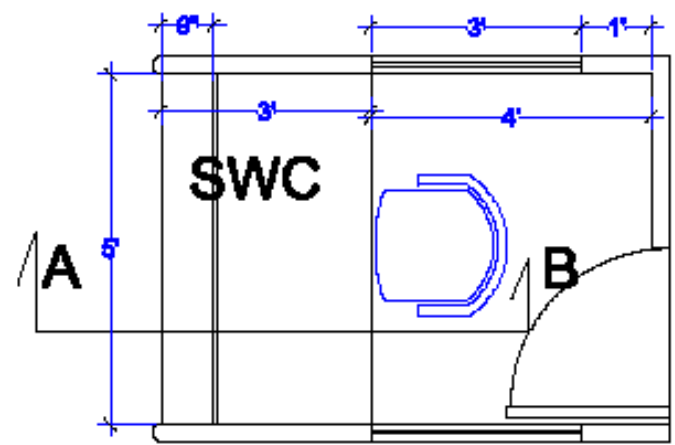
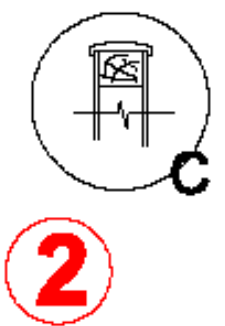
**ANCHURI DESIGN WORLD,  
1-11-248/3, Shamlal Buildings,  
begumpet, Hyderabad.**



'B' side elevation

Section at AB

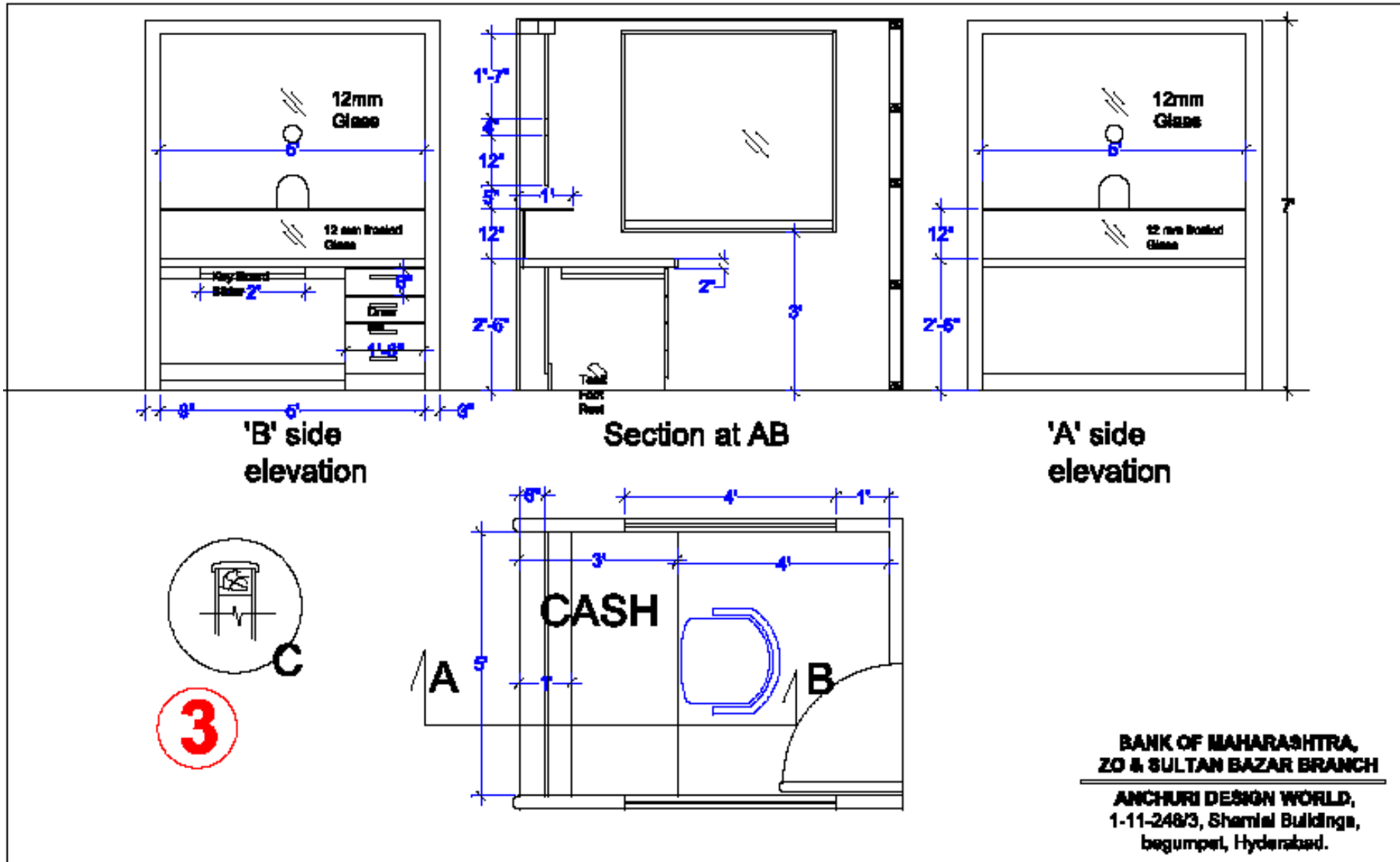
'A' side elevation

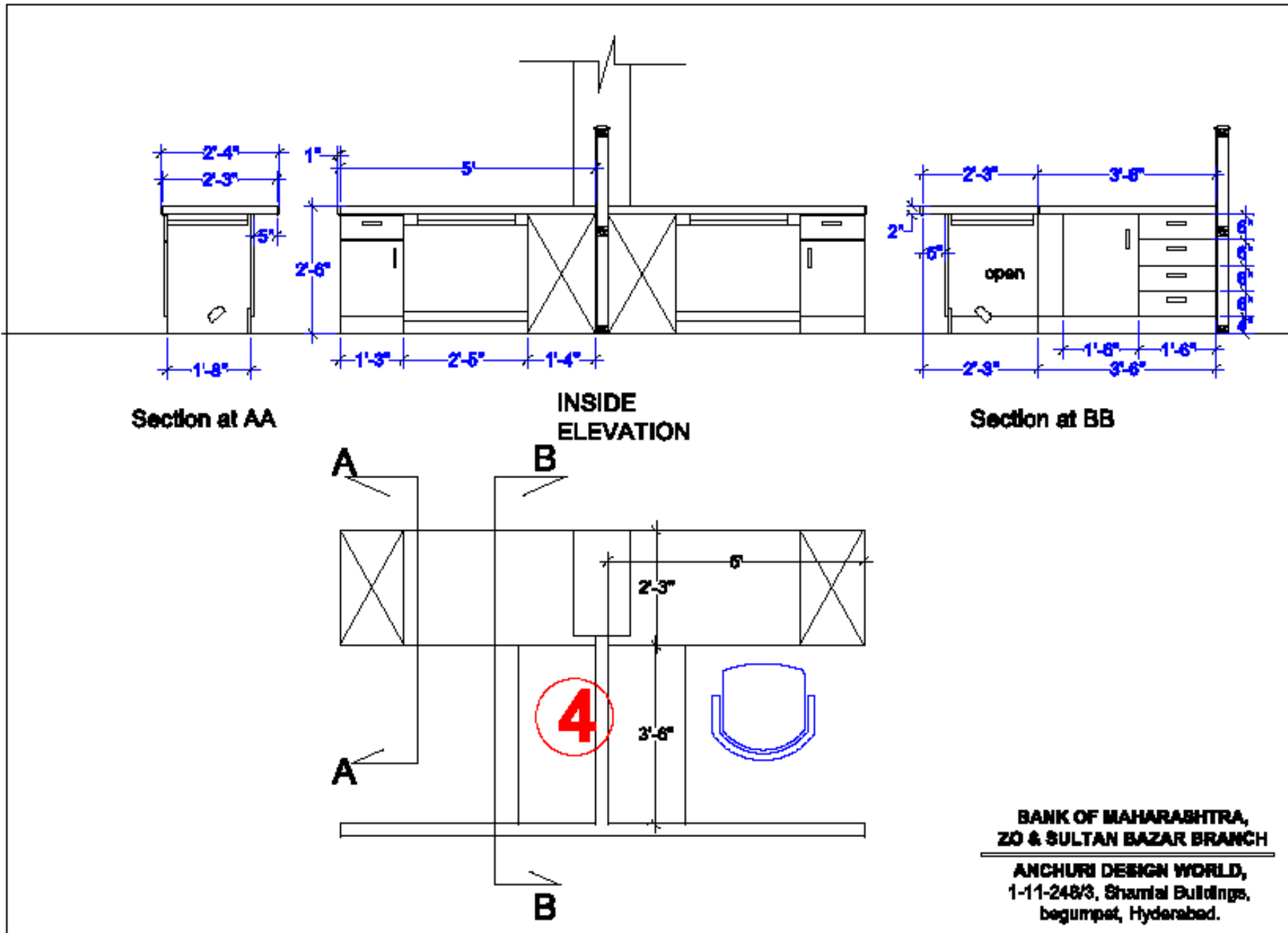


**BANK OF MAHARASHTRA,  
ZO & SULTAN BAZAR BRANCH**

---

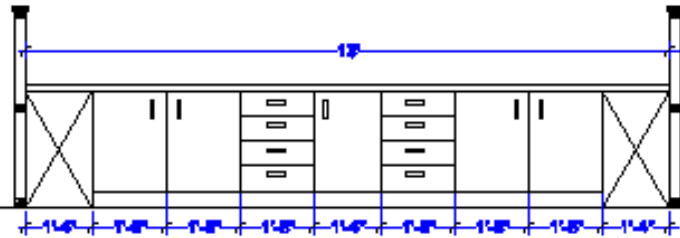
**ANCHURI DESIGN WORLD,  
1-11-248/3, Shamal Buildings,  
begumpet, Hyderabad.**



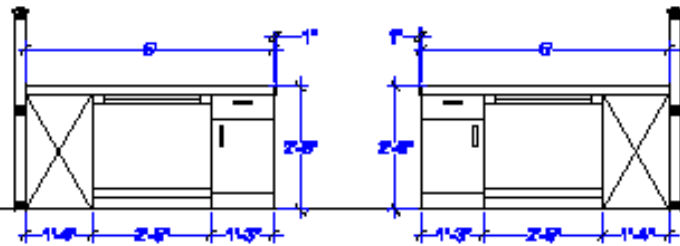


**BANK OF MAHARASHTRA,  
ZO & SULTAN BAZAR BRANCH**

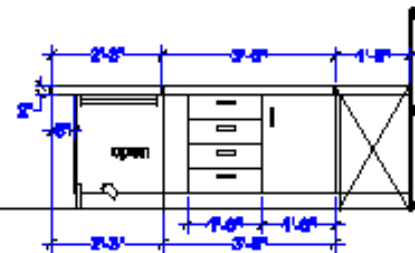
**ANCHURI DESIGN WORLD,  
1-11-248/3, Shamal Buildings,  
begumpet, Hyderabad.**



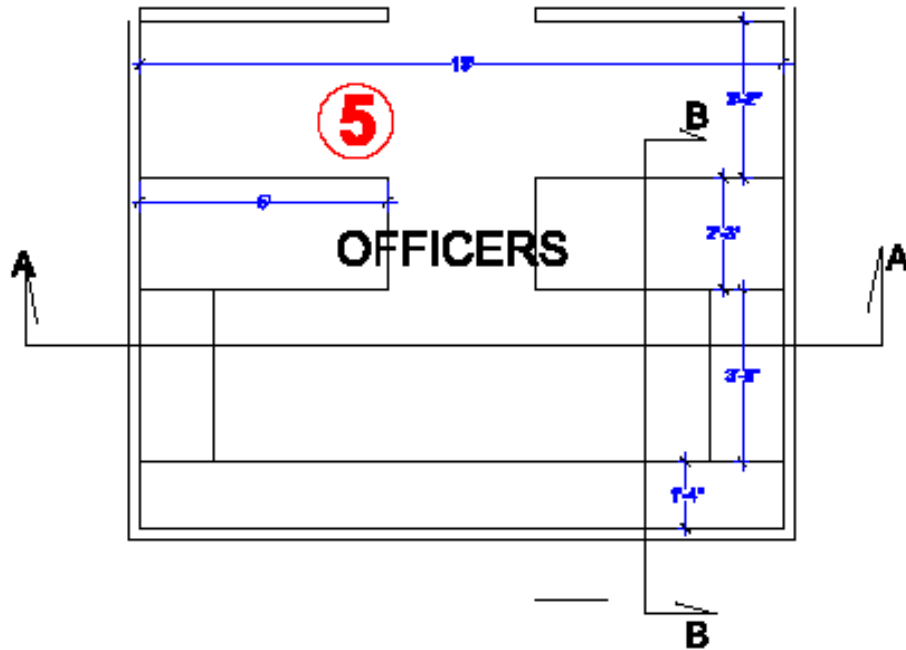
**BACK RACK**



**Section at AA**



**Section at BB**



**BANK OF MAHARASHTRA,  
2D-A, BULTAR BAZAR BRANCH**  
**ANCHURI DESIGN WORLD,  
1-11-2493, Shree Sai Building,  
Begumpet, Hyderabad.**